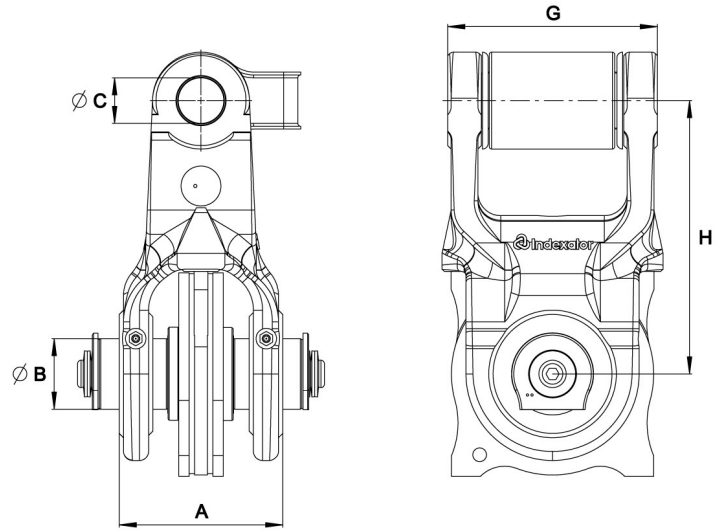
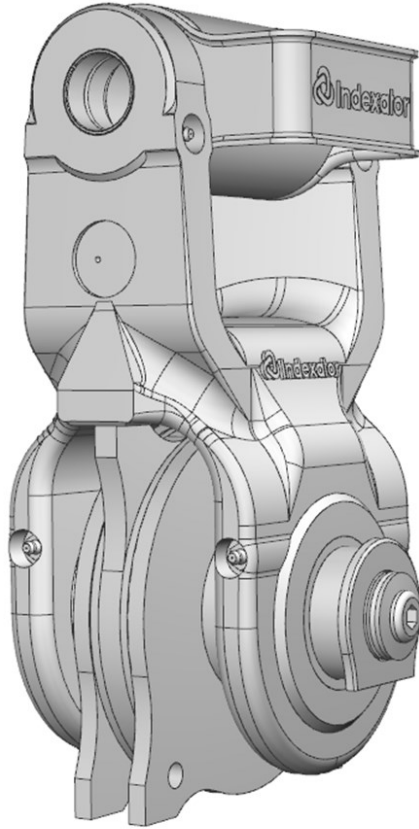


Single swing damper MPB1-184

Part No.: 5016599

- Protected Hose Routing



A:	B:	C:	G:	H:
MPB1	MPB	Ø40 mm	184 mm	240 mm



28 kg

Max



160 kN

For further technical information relating to integration, please contact rotator@indexator.com