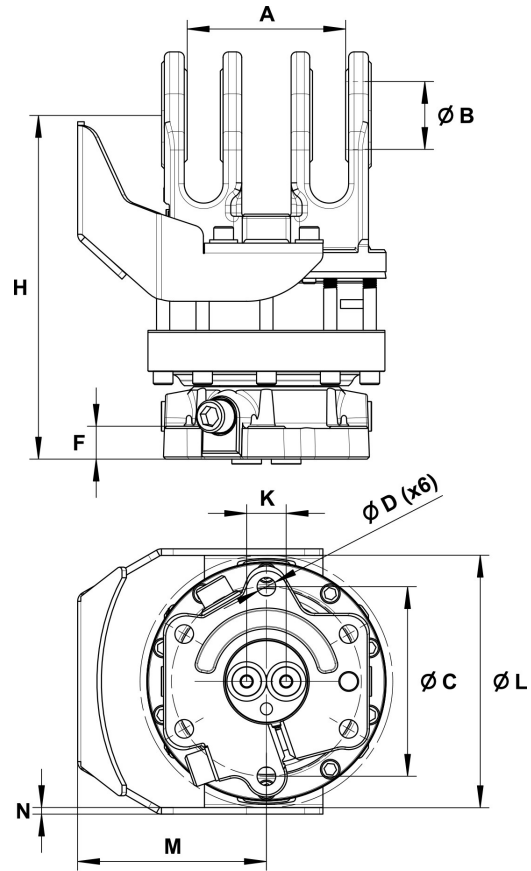
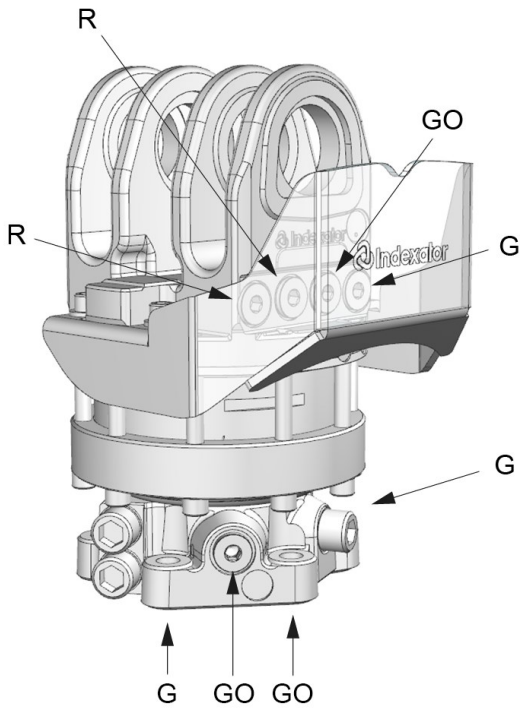


G 101 Y

Part No.: 7060003

- Protected Hose Routing



Upper connection	Lower connection
G 1/2	G 1/2

A: MPB1	B: MPB	C: Ø173 mm	D: Ø17 mm	F: 30 mm	H: 314 mm	K: 36 mm	L: Ø229 mm	M: 164 mm	N: 6 mm
------------	-----------	---------------	--------------	-------------	--------------	-------------	---------------	--------------	------------

		Max 	Max 		Max 	Max 	Max 	Max
52 kg	360°	60 kN	25 kN	1900 Nm	25 l/min	25 MPa	25 MPa	25 MPa

Rotator suitable for MPB swing dampers.

Adapter sets are available for alternative connections.

For further technical information relating to integration and hydraulic connections, please contact rotator@indexator.com