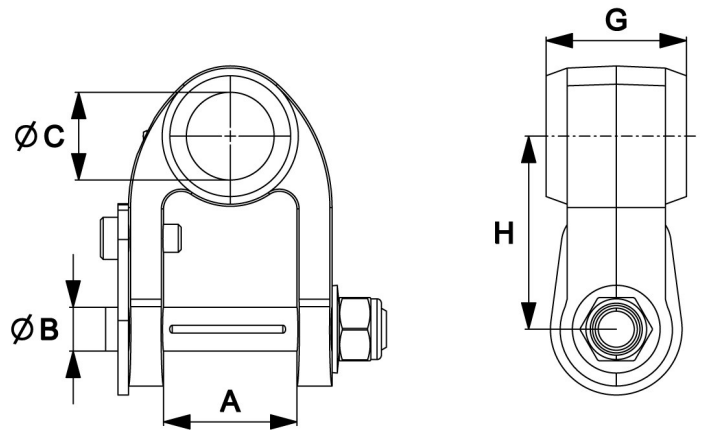
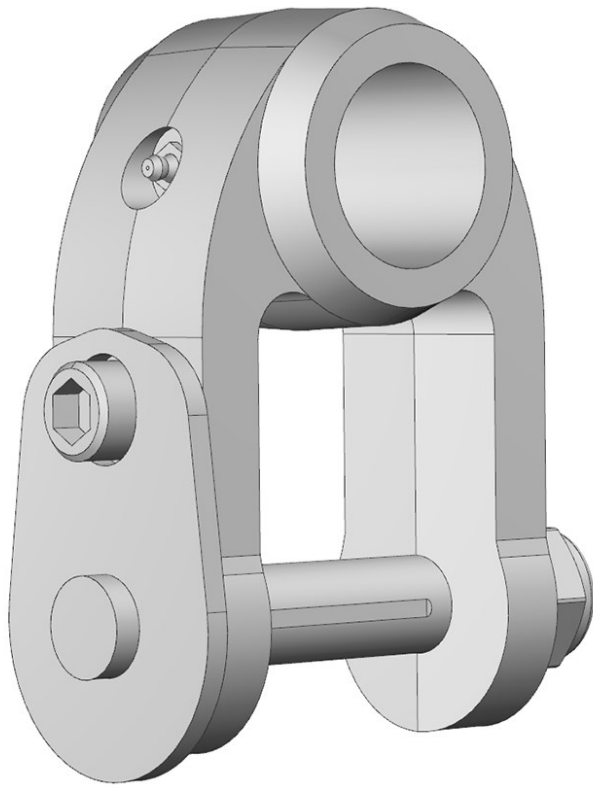


Link 75-80

Part No.: 5030000



A:	B:	C:	G:	H:
76 mm	Ø25 mm	See table	80 mm	110 mm

Diameter, upper bushing (C)	Bronze	Composite
Ø45 mm	2 x 1003193	-
Ø40 mm	-	1 x 5002401
Ø35 mm	-	1 x 5002402
Ø30 mm	-	1 x 5002403
Ø25 mm	-	1 x 5002404



5 kg

Max



40 kN

The product is supplied with a pin set in the lower position. Supplemented with a bushing in the upper position according to the table.

For further technical information relating to integration, please contact rotator@indexator.com