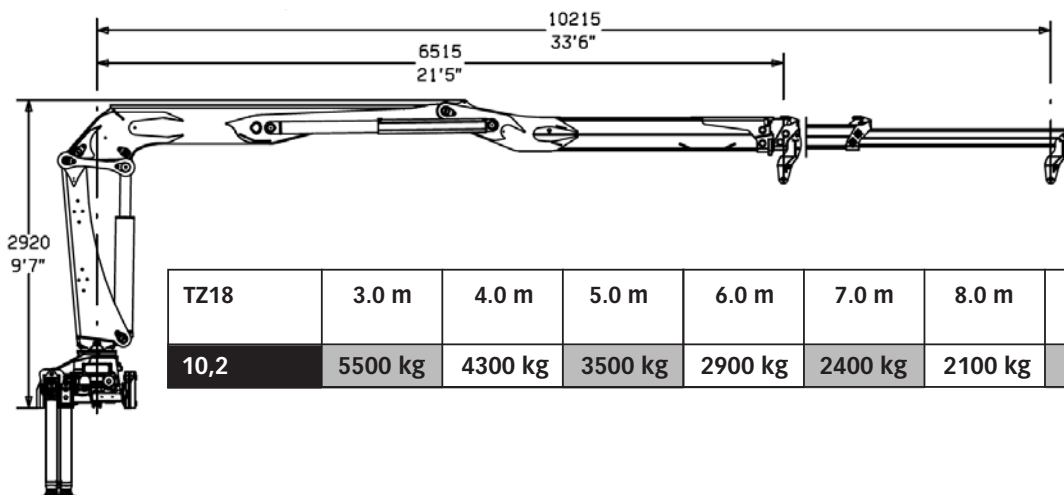


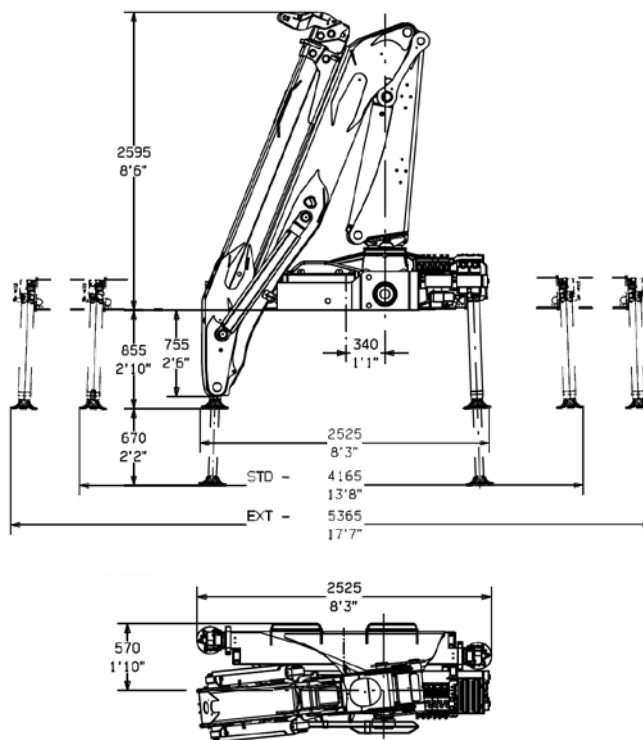
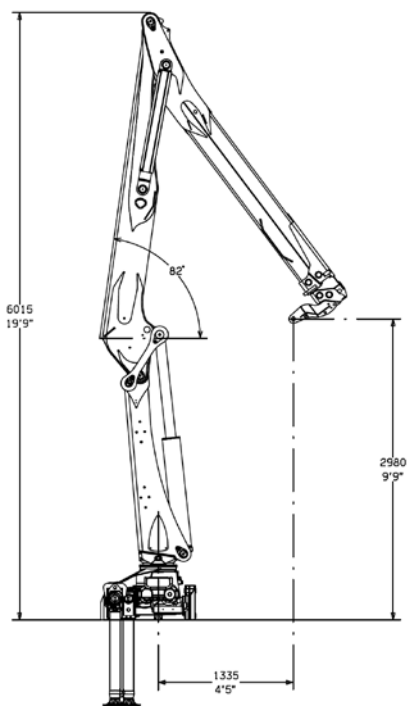
TZ18

Issue 2, april 2019





TZ18	3.0 m	4.0 m	5.0 m	6.0 m	7.0 m	8.0 m	9.0 m	10.0 m
10,2	5500 kg	4300 kg	3500 kg	2900 kg	2400 kg	2100 kg	1850 kg	1665 kg



TZ18										
10,2	170 KNm	10,2 m	3,7 m	425°	29,3	26	120-160	80-100	2X70	2800*

* weight is without link, rotator, grapple and operator top seat